



UNIMECH GROUP, MALAYSIA



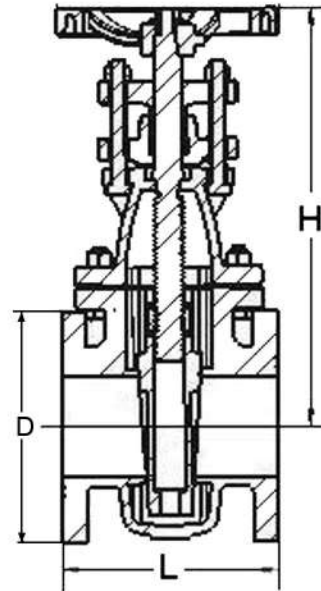
A MEMBER OF UNIMECH GROUP, MALAYSIA

## CAST IRON GATE VALVE FLANGED END JIS 10K (NON RISING STEM)



### Features :

- Face to Face is according to JIS B2002
- Flange drilled is according to JIS B2012
- Working Pressure : 10K
- Test Pressure Shell : 21.1 kgf/cm<sup>2</sup>
- Seat : 15.0 kgf/cm<sup>2</sup>



### Technical Data

#### Material

No.	PART	MATERIAL
1	BODY	CAST IRON (FC20)
2	BONNET	CAST IRON (FC20)
3	STEM	STAINLESS STEEL (SS410)
4	DISC	CAST IRON (FC20)
5	SEAT RING	CAST BRONZE / STAINLESS STEEL (B62)
6	GLAND	DUCTILE IRON (FCD45)
7	PACKING	NOT ASBESTOS
8	HANDWHEEL	CAST IRON (FC20)

#### Dimension in mm

SIZES		L	H	D
DN	in.			
40	1.1/2"	165	245	140
50	2"	180	267	155
65	2.1/2"	190	280	175
80	3"	200	300	185
100	4"	230	405	210
125	5"	250	460	250
150	6"	270	560	280
200	8"	290	705	330
250	10"	330	880	400
300	12"	350	1100	445



UNIMECH GROUP, MALAYSIA



A MEMBER OF UNIMECH GROUP, MALAYSIA

## CAST IRON GATE VALVE FLANGED END PN 16 (RISING STEM)



**Features :**

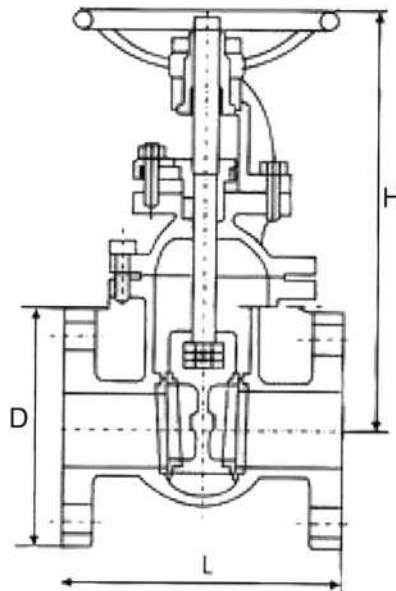
Face to Face is according to BS5150/5163

Flange drilled is according to BS4504

Working Pressure : PN 16

Test Pressure Shell : 24 kgf/cm<sup>2</sup>

Seat : 17.6 kgf/cm<sup>2</sup>



### Technical Data

**Material**

No.	PART	MATERIAL
1	BODY	CAST IRON (A126)
2	BONNET	CAST IRON (A126)
3	STEM	STAINLESS STEEL (SS410)
4	DISC	CAST IRON (A126)
5	SEAT RING	CAST BRONZE / STAINLESS STEEL (B62)
6	GLAND	DUCTILE IRON (FCD450)
7	PACKING	NOT ASBESTOS
8	HANDWHEEL	CAST IRON (A126)

**Dimension in mm**

SIZES		L	H	D
DN	in.			
40	1.1/2"	165	250	150
50	2"	178	267	165
65	2.1/2"	190	280	185
80	3"	203	300	200
100	4"	229	405	220
125	5"	254	460	250
150	6"	267	560	285
200	8"	292	705	340
250	10"	330	880	405
300	12"	356	1100	460

The contents of this literature are for informative purposes only. Arita is not responsible for suitability or compatibility of these products in relation to system requirement. For specific requirements, consult Arita or its distributors. Arita reserves the right to change or modify product design without prior notice.



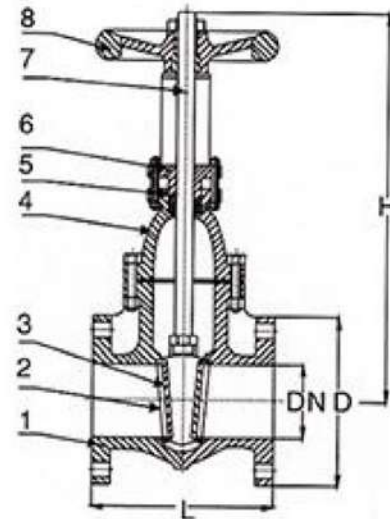
UNIMECH GROUP, MALAYSIA



A MEMBER OF UNIMECH GROUP, MALAYSIA

## GATE VALVE FLANGED END JIS 10K (RISING STEM)

ARV-801FE(J)-R



### Features :

- Face to face is according to JIS B2002
- Flange drilled is according to JIS B2212
- Working Pressure : 10K
- Test Pressure Shell : 21.1 kgf/cm<sup>2</sup>
- Seat : 15.0 kgf/cm<sup>2</sup>
- Working Temperature : -10 to 120°C

### Technical Data

#### Material

No	PART	MATERIAL
1	BODY	CAST IRON
2	BONNET	CAST IRON
3	STEM	STAINLESS STEEL
4	DISC	CAST IRON
5	SEAT RING	CAST BRONZE / STAINLESS STEEL
6	GLAND	DUCTILE IRON
7	PACKING	NON ASBESTOS
8	HANDWHEEL	CAST IRON

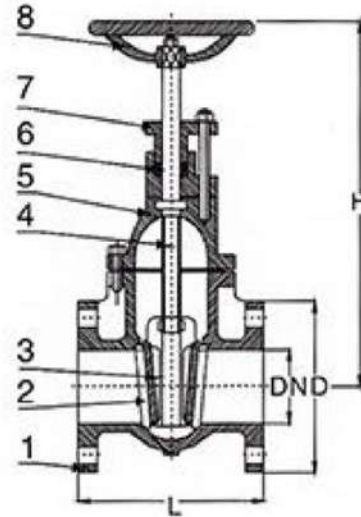
#### Dimension in mm

SIZES	1.1/2"	2"	2.1/2"	3"	4"	5"	6"	8"	10"	12"
DN	40	50	65	80	100	125	150	200	250	300
L	165	180	190	200	230	250	270	290	330	350
H	245	267	280	300	405	460	560	705	880	1100
D	140	155	175	185	210	250	280	330	400	445

The contents of this literature are for informative purposes only. Arita is not responsible for suitability or compatibility of these products in relation to system requirement. For specific requirements, consult Arita or its distributors. Arita reserves the right to change or modify product design without prior notice.

## GATE VALVE FLANGED END PN16 (NON RISING STEM)

ARV-801FE(D)-NR



### Technical Data

#### Features :

- Conforms to BS EN 1171
- Flanged to BS EN1092-2-PN16
- Working Pressure : PN 16
- Test Pressure Shell : 24 kgf/cm<sup>2</sup>
- Seat : 17.6 kgf/cm<sup>2</sup>
- Working Temperature : -10 to 120°C

#### Material

No	PART	MATERIAL
1	BODY	CAST IRON
2	BONNET	CAST IRON
3	STEM	STAINLESS STEEL
4	DISC	CAST IRON
5	SEAT RING	CAST BRONZE STAINLESS STEEL
6	GLAND	DUCTILE IRON
7	PACKING	NON ASBESTOS
8	HANDWHEEL	CAST IRON

#### Dimension in mm

SIZES	1.1/2"	2"	2.1/2"	3"	4"	5"	6"	8"	10"	12"
DN	40	50	65	80	100	125	150	200	250	300
L	165	178	190	203	229	254	267	292	330	356
H	245	252	270	290	365	420	455	575	686	782
D	150	165	185	200	220	250	285	340	405	460

Note :

1. BS EN 1171 is equivalent to BS 5150
2. BS EN 1092-2 PN16 is equivalent to BS4504 PN16