



FEATURES

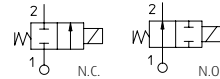
- ▶ Wide range of application valves for liquids and gas
- ▶ Reliable proven design with high flow
- ▶ Small poppet valve for tight shutoff
- ▶ Wide range of elastomers
- ▶ Mountable in any position

TECHNICAL SPECIFICATION

- ▶ **Body material:** Brass UNI EN 12165 CW617N
- ▶ **Armature tube:** Stainless Steel AISI 300 series
- ▶ **Plungers:** Stainless Steel AISI 400 series
- ▶ **Spring:** Stainless Steel AISI 300 series
- ▶ **Media:** mineral oils, gasoline, diesel, fuel oils, water, air, inert fluids, inert gases, steam
- ▶ **Ambient temperature:** See coils catalogue page for its compatibility
- ▶ **Fluid temperature:** -10°C +140°C with FKM and EPDM seals
-10°C +90°C with NBR seals
-40°C +180°C with PTFE and RUBY seals
- ▶ **Max allowable pressure (PS):** 40 bar
- ▶ **Protection class:** IP65 (complete with electric plug)
IP67 (with antiumidity kit can be rated to IP67)
- ▶ **Electrical conformity:** IEC 335
- ▶ **Switching time:** 20 - 40 msec (depending on pressure conditions)

AVAILABLE ON REQUEST

- ▶ Low lead brass for food grade
- ▶ Nickel plated version
- ▶ NSF approved version
- ▶ Double spring for higher operative pressure
- ▶ High pressure up to 100bar (see High Pressure section)
- ▶ Compressor flange interface (i.e. 4690K0V20 see Drawing reference 1a)
- ▶ Manual override (i.e. 21A3KV15-M)
- ▶ Explosion proof coil Ex m (see Atex section)
- ▶ Explosion proof coil Ex d (see Atex section)
- ▶ Explosion proof coil Ex nA (see Atex section)
- ▶ Latching coil (See coil section)



| 21A | 1 | K | V | 15 | 21A | ** | B | D | A | 08 | 024 | A | S | |
|-------------|-----------|---------|---------|----|-----------------------------|---------------------------------------|-----------------|-----------------|------------|----------------|----------|-----------------|---------------------|--|
| Model valve | B= Flange | K= N.C. | V= FKM | 10 | Orefice 10 ⁻¹ mm | D= for 8W coil G= for 12W-14W coil | B= 30mm Ø 13 | D EN 175301-803 | B= Class F | 08= 8W | 024= 24V | C= DC | S= Without Approval | |
| | 1= G 1/8 | Z= N.O. | B= NBR | 20 | | | U= 36mm Ø 13 | V= Class H | 12= 12W | 112= 110V-120V | A= AC | Y= UL, CSA, VDE | | |
| | 2= G 1/4 | | E= EPDM | 25 | | | | | 14= 14W | 223= 220V-230V | D= AC | | | |
| | 3= G 3/8 | | T= PTFE | 30 | | | | | | | | | | |
| | 4= G 1/2 | | R= RUBY | 45 | | | | | | | | | | |
| | | | | 55 | | | | | | | | | | |

(**) Only for N.O. version

| PIPE | Ø (mm) | Kv (l/min) | MAX VISCOSITY cSt (°E) | PRESSURE min | PRESSURE MAX MOPD (bar) | | | | | | GAS CODE | NPT CODE | DRAWING REFERENCE |
|------|--------|------------|------------------------|--------------|-------------------------|---|---|----|---|---|----------|----------|-------------------|
| | | | | | COIL TYPE | | | | | | | | |
| | | | | | AC | | | DC | | | | | |
| | | | | | B | U | G | B | U | G | | | |

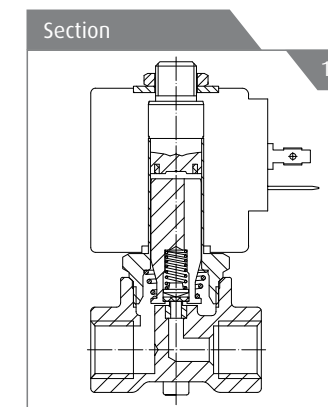
Normally Closed

| | | | | | | | | | | | | |
|--------|-----|-----|-------|---|----|----|----|----|-----|----|----------|---|
| Flange | 1,5 | 1,4 | 12(2) | 0 | 30 | - | - | 18 | - | - | 21A1KV15 | 1 |
| | 2 | 2 | 37(5) | | 22 | 35 | 35 | 16 | 30 | 30 | 21A1KV20 | 1 |
| | 2,5 | 3,2 | 53(7) | | 14 | 30 | 30 | 9 | 25 | 25 | 21A1KV25 | 1 |
| | 3 | 4 | 53(7) | | 10 | 25 | 25 | 6 | 18 | 20 | 21A1KV30 | 1 |
| G 1/8 | 1,5 | 1,4 | 12(2) | 0 | 30 | - | - | 18 | - | - | 21A3KV15 | 2 |
| | 2 | 2 | 37(5) | | 22 | 35 | 35 | 16 | 30 | 30 | 21A3KV20 | 2 |
| | 2,5 | 3,2 | 53(7) | | 14 | 30 | 30 | 9 | 25 | 25 | 21A3KV25 | 2 |
| | 3 | 4 | 53(7) | | 10 | 25 | 25 | 6 | 18 | 20 | 21A3KV30 | 2 |
| G 1/4 | 4,5 | 6,5 | 53(7) | 0 | 5 | 12 | 12 | 2 | 7 | 8 | 21A3KV45 | 2 |
| | 1,5 | 1,4 | 12(2) | | 30 | - | - | 18 | - | - | 21A2KV15 | 2 |
| | 2 | 2 | 37(5) | | 22 | 35 | 35 | 16 | 30 | 30 | 21A2KV20 | 3 |
| | 2,5 | 3,2 | 53(7) | | 14 | 30 | 30 | 9 | 25 | 25 | 21A2KV25 | 3 |
| G 3/8 | 3 | 4 | 53(7) | 0 | 10 | 25 | 25 | 6 | 18 | 20 | 21A2KV30 | 3 |
| | 4,5 | 6,5 | 53(7) | | 5 | 12 | 12 | 2 | 7 | 8 | 21A2KV45 | 3 |
| | 5,5 | 9 | 53(7) | | 3 | 7 | 10 | 1 | 2,5 | 5 | 21A2KV55 | 3 |
| | 4,5 | 6,5 | 53(7) | | 5 | 12 | 12 | 2 | 7 | 8 | 21A5KV45 | 4 |
| G 1/2 | 5,5 | 9 | 53(7) | 0 | 3 | 7 | 10 | 1 | 2,5 | 5 | 21A5KV55 | 4 |
| | 4,5 | 6,5 | 53(7) | | 5 | 12 | 12 | 2 | 7 | 8 | 21A8KV45 | 5 |
| | 5,5 | 9 | 53(7) | 0 | 3 | 7 | 10 | 1 | 2,5 | 5 | 21A8KV55 | 5 |

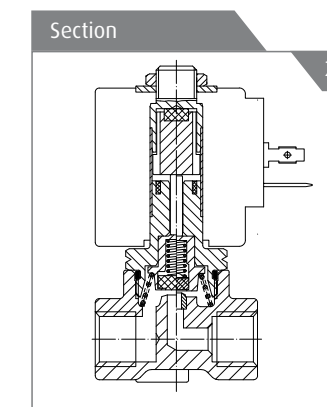
Normally Open

| | | | | | | | | | | | | |
|--------|-----|-----|-------|---|-----|-----|-----|-----|----|-----|-------------|---|
| Flange | 1,5 | 1,4 | 12(2) | 0 | 25 | - | - | 25 | - | - | 21A1ZV15D | 1 |
| | 2 | 2 | 37(5) | | 20 | - | - | 20 | - | - | 21A1ZV20D | 1 |
| | 2,5 | 3,2 | 53(7) | | 14 | - | - | 14 | - | - | 21A1ZV25D | 1 |
| | 3 | 4 | 53(7) | | 10 | - | - | 10 | - | - | 21A1ZV30D | 1 |
| G 1/8 | 1,5 | 1,4 | 12(2) | 0 | 25 | - | - | 25 | - | - | 21A3ZV15(*) | 2 |
| | 2 | 2 | 37(5) | | 20 | 30 | 30 | 20 | 30 | 30 | 21A3ZV20(*) | 2 |
| | 2,5 | 3,2 | 53(7) | | 14 | 17 | 17 | 14 | 17 | 17 | 21A3ZV25(*) | 2 |
| | 3 | 4 | 53(7) | | 10 | 15 | 15 | 10 | 15 | 15 | 21A3ZV30(*) | 2 |
| G 1/4 | 4,5 | 6,5 | 53(7) | 0 | 5 | 6 | 6 | 4 | - | 6 | 21A3ZV45(*) | 2 |
| | 1,5 | 1,4 | 12(2) | | 25 | - | - | 25 | - | - | 21A2ZV15(*) | 2 |
| | 2 | 2 | 37(5) | | 20 | 30 | 30 | 20 | 30 | 30 | 21A2ZV20(*) | 3 |
| | 2,5 | 3,2 | 53(7) | | 14 | 17 | 17 | 14 | 17 | 17 | 21A2ZV25(*) | 3 |
| G 3/8 | 3 | 4 | 53(7) | 0 | 10 | 15 | 15 | 10 | 15 | 15 | 21A2ZV30(*) | 3 |
| | 4,5 | 6,5 | 53(7) | | 4 | 6 | 6 | 4 | - | 6 | 21A2ZV45(*) | 3 |
| | 5,5 | 9 | 53(7) | | 2,5 | 3,5 | 3,5 | 2,5 | - | 3,5 | 21A2ZV55(*) | 3 |
| | 4,5 | 6,5 | 53(7) | | 4 | 6 | 6 | 4 | - | 6 | 21A5ZV45(*) | 4 |
| G 1/2 | 5,5 | 9 | 53(7) | 0 | 2,5 | 3,5 | 3,5 | 2,5 | - | 3,5 | 21A5ZV55(*) | 4 |
| | 4,5 | 6,5 | 53(7) | | 4 | 6 | 6 | 4 | - | 6 | 21A8ZV45(*) | 5 |
| | 5,5 | 9 | 53(7) | 0 | 2,5 | 3,5 | 3,5 | 2,5 | - | 3,5 | 21A8ZV55(*) | 5 |

(*) D for B Coil; G for U/G coil



REPAIR KIT
Normally Closed
Orifice <=3mm: KT130KV30-A
Orifice >=3mm: KT130KV55-A

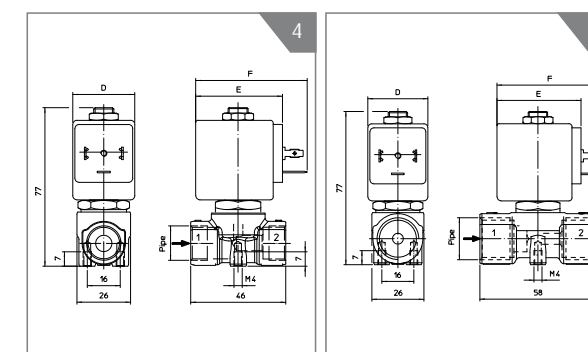
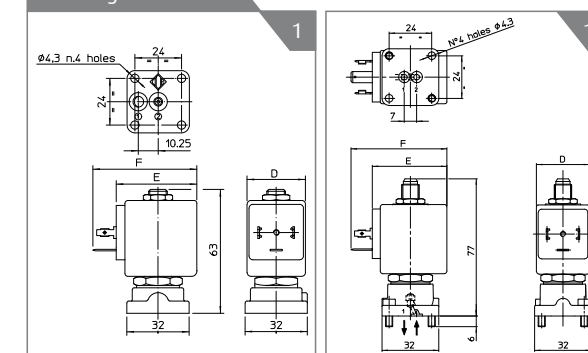


REPAIR KIT
Normally Open
Coil B type (8W)
Orifice <=3mm: KT130ZV30-G
Orifice >=3mm: KT130ZV55-F
KT130KV55-A
Coil U type (12W)
Coil G type (14W)
Orifice <=3mm: KT130ZV30-G
Orifice >=3mm: KT130ZV55-G

RELATED ITEMS

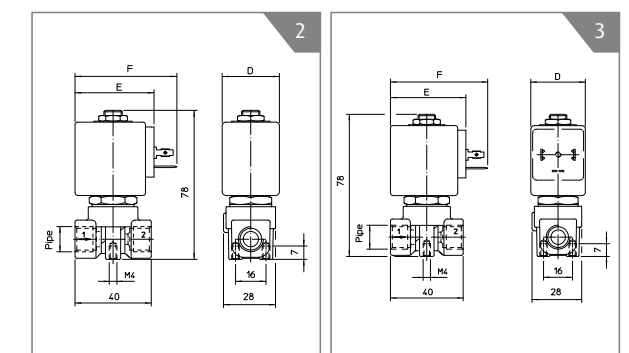
- ▶ P990305: Electrical plug EN 175301-803 Pg9
- ▶ P990306: Electrical plug EN 175301-803 Pg11
- ▶ P992126: Electrical plug EN 175301-803 Pg9 (with OR screw)
- ▶ P992127: Electrical plug EN 175301-803 Pg11 (with OR screw)
- ▶ P992128: Electrical plug EN 175301-803 cable 2 wires, 53cm
- ▶ R452714: Antiumidity kit (up to IP67 protection together with plugs P992126, P992127; P992128 & H coil class)
- ▶ P992087: Timer for automatic switch

Drawing Reference



INSTALLATION

- ▶ The solenoid valves can be mounted in any position
- ▶ Other port connections available on request
- ▶ Maintenance and instruction sheet available in each solenoid valve box
- ▶ Availability of repair kit and coils as spares



Dimensionale Table

| Figure | Coil Type | D mm | E mm | F mm |
|--------------|-----------|------|------|------|
| 1-1a-2-3-4-5 | B | 30 | 42 | 56 |
| | U | 36 | 48 | 60 |
| | G | 52 | 55 | 67 |

