

# Excellent & Advanced

## VP-800 Series

### Butterfly Valves 蝶閥

- VP-810  
Butterfly Valve (Handle type)  
把手式蝶閥
- VP-820  
Butterfly Valve (Gear Box)  
齒輪式蝶閥
- VP-830  
Pneumatic Actuator Butterfly Valve  
氣動式蝶閥
- VP-840  
Electric Actuator Butterfly Valve  
電動式蝶閥





# VP-810 把手式蝶閥

## Butterfly Valve (Handle type)

- Pressure rating: 2"~8" 150 PSI  
@73.4°F(23°C)

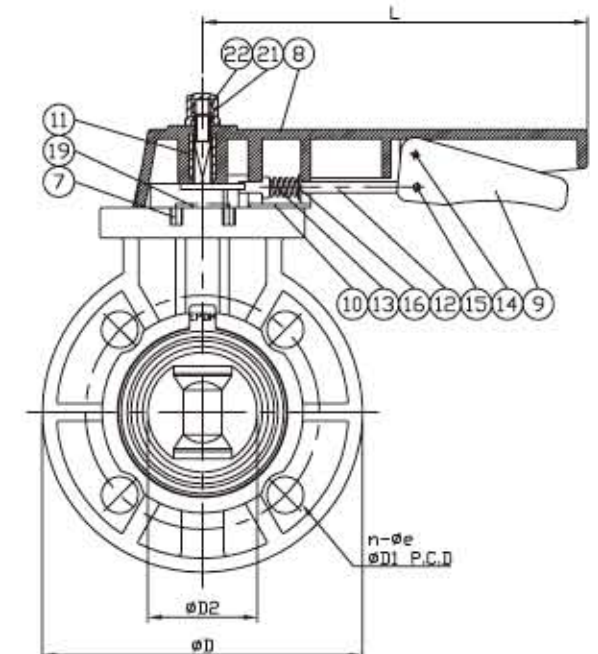
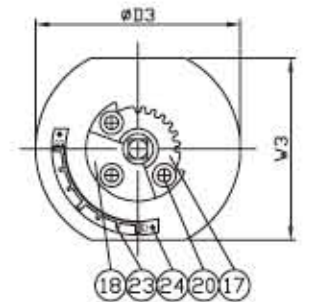
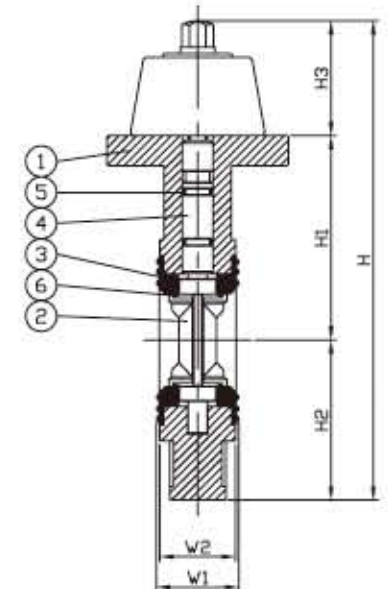
(Standard stem:  
SUS 410 + heat process.  
Alternative material for stem:  
SUS 304/316)

- Compact and light-weight design
- Low flow loss
- The scale on top of the body can clearly indicate the opening angle.
- Ideally suited in a limited piping space
- 工作壓力: 2"~8" 150 PSI  
@73.4°F(23°C)  
(標準中心柱材質SUS 410 + 熱處理, 亦可選用SUS 304/316 材質)
- 蝶片開啓角度可由刻度清楚顯示, 並可由齒輪片固定
- 全面型墊片密封設計, 安全性佳

| Type<br>品號 | Size<br>尺寸 | Standard<br>規格 | Material<br>材質 | Seat<br>墊座 | O-ring<br>O環 | Disc<br>碟片 | End type<br>接口 |
|------------|------------|----------------|----------------|------------|--------------|------------|----------------|
| VP-810     | 2"~8"      | ANSI, JIS, DIN | PVC            | EPDM, FPM  | EPDM, FPM    | PP         | Flanged        |
| VP-811     | 2"~8"      | ANSI, JIS, DIN | CPVC           | EPDM, FPM  | EPDM, FPM    | CPVC       | Flanged        |
| VP-813     | 2"~8"      | ANSI, JIS, DIN | PVDF           | EPDM, FPM  | EPDM, FPM    | PVDF       | Flanged        |
| VP-814     | 2"~8"      | ANSI, JIS, DIN | PP             | EPDM, FPM  | EPDM, FPM    | PP         | Flanged        |

| Nom. | SIZE | 40mm<br>(1-1/2") | 50mm<br>(2") | 65mm<br>(2-1/2") | 80mm<br>(3") | 100mm<br>(4") | 125mm<br>(5") | 150mm<br>(6") | 200mm<br>(8") |
|------|------|------------------|--------------|------------------|--------------|---------------|---------------|---------------|---------------|
| JIS  | D1   | 105              | 120          | 140              | 150          | 175           | 210           | 240           | 290           |
|      | n-øe | 4-ø19            | 4-ø19        | 4-ø19            | 8-ø19        | 8-ø19         | 8-ø23         | 8-ø23         | 12-ø23        |
| ANSI | D1   | 99               | 121          | 140              | 152          | 191           | 216           | 241           | 299           |
|      | n-øe | 4-ø16            | 4-ø19        | 4-ø19            | 4-ø19        | 8-ø19         | 8-ø23         | 8-ø23         | 8-ø23         |
| DIN  | D1   | 110              | 125          | 145              | 160          | 180           | 210           | 240           | 295           |
|      | n-øe | 4-ø18            | 4-ø18        | 4-ø18            | 8-ø18        | 8-ø18         | 8-ø18         | 8-ø22         | 8-ø22         |
| D    |      | 148              | 165.5        | 185              | 200          | 229           | 257           | 288           | 343           |
| D2   |      | 49.5             | 56.5         | 69.5             | 79.5         | 102.5         | 129.5         | 149.5         | 202           |
| D3   |      | 99               | 106          | 119              | 124          | 134.5         | 164           | 170           | 201           |
| L    |      | 199              | 199          | 199              | 199          | 252           | 297           | 297           | 297           |
| H    |      | 233              | 248          | 267              | 278.5        | 318           | 374           | 407.5         | 467           |
| H1   |      | 96               | 106          | 115              | 118          | 138.5         | 163.5         | 179           | 208.5         |
| H2   |      | 74               | 82.75        | 92.5             | 100          | 114.5         | 128.5         | 144           | 171.5         |
| H3   |      | 63               | 59.5         | 59.5             | 61           | 65.5          | 81.5          | 84.5          | 84.5          |
| W1   |      | 39               | 42.5         | 47               | 47           | 57            | 68            | 70            | 85            |
| W2   |      | 35.7             | 39           | 44               | 44           | 54            | 63            | 65            | 79            |
| W3   |      | 90               | 94           | 94               | 94           | 99.5          | 110           | 101           | 122           |

| NO | PART NAME         | MATERIAL             | Q'TY |
|----|-------------------|----------------------|------|
| 1  | BODY 本體           | UPVC, CPVC, PVDF, PP | 1    |
| 2  | DISC 閘門           | UPVC, CPVC, PVDF, PP | 1    |
| 3  | SEAT 墊座           | EPDM, FPM            | 1    |
| 4  | STEM 中心柱          | SUS                  | 1    |
| 5  | STEM O-RING 中心O環  | EPDM, FPM            | 2    |
| 6  | DISC O-RING 閘門O環  | EPDM, FPM            | 2    |
| 7  | INSERT NUT 本體埋銅   | C3602                | 3    |
| 8  | LARGE HANDLE 大把手  | PP                   | 1    |
| 9  | SMALL HANDLE 小把手  | PP                   | 1    |
| 10 | SPRING LOCK 把手蓋   | PP                   | 1    |
| 11 | HANDLE INSERT 方型鐵 | STAINLESS STEEL      | 1    |
| 12 | HANDLE LEVER 鏈桿   | SUS304               | 1    |
| 13 | SPRING 彈簧         | SUS304               | 1    |
| 14 | SPRING PIN 彈簧銷    | SUS304               | 1    |
| 15 | SPRING PIN 彈簧銷    | SUS304               | 1    |
| 16 | WASHER 平華司        | SUS304               | 1    |
| 17 | LOCKING PLATE 齒輪片 | SUS304               | 1    |
| 18 | GEAR SEAT 齒輪座     | UPVC, PVDF           | 1    |
| 19 | STEM WASHER 中心平華司 | SUS304               | 1    |
| 20 | BOLT 齒輪螺絲         | SUS304               | 3    |
| 21 | NUT 螺帽            | UPVC, PVDF           | 1    |
| 22 | INSERT NUT 螺帽埋銅   | C3602                | 1    |
| 23 | LEVEL 刻度指示牌       | SUS304               | 1    |
| 24 | RIVET 鑄釘          | SUS304               | 2    |





# VP-820 齒輪式蝶閥 Butterfly Valve (Gear Box)

- Pressure rating : 2"~10" 150 PSI,  
12" 100 PSI,  
14,16" 86 PSI,  
18" 72 PSI,  
20"~24" 51 PSI  
@73.4°F(23°C)

(Standard stem:

SUS 410 + heat process

Alternative material for stem:

SUS 304/316)

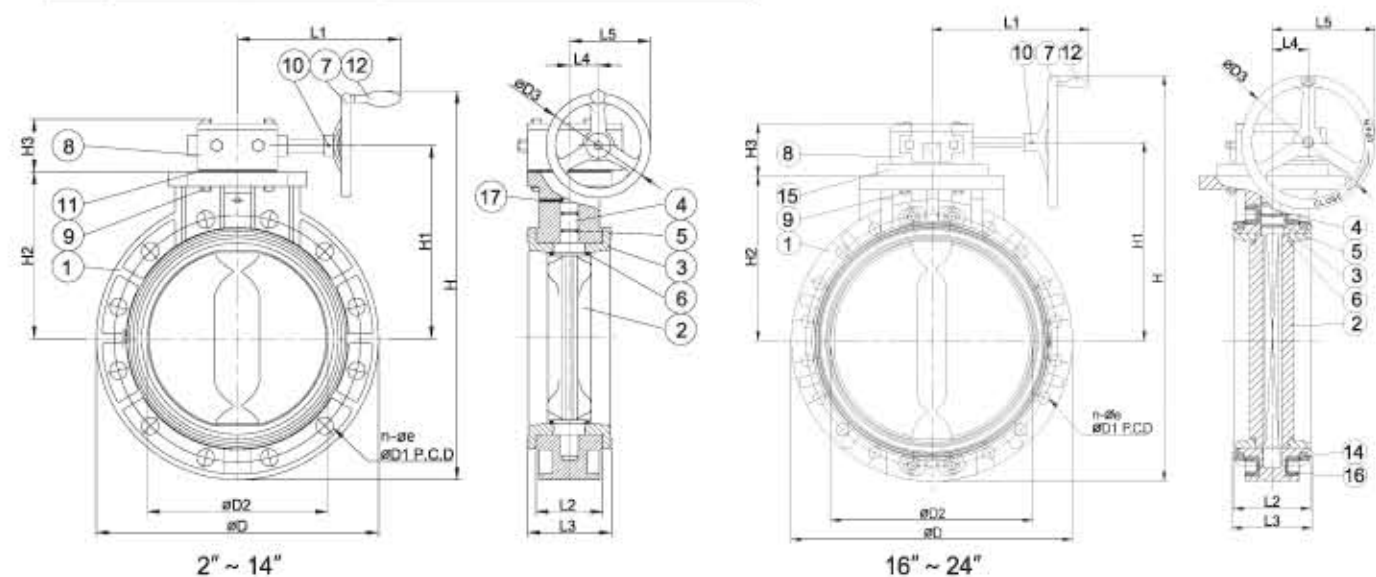
- Lower torque and seal hermetically
- Low flow loss
- The opening angle of the disc could be seen clearly through the arrow on top of the gear box.
- Ideally suited in a limited piping space
- Easy to mount actuator with flat zone design on the top of valve
- 工作壓力 : 2"~10" 150 PSI,  
12" 100PSI,  
14", 16" 86PSI,  
18" 72PSI,  
20"~24" 51PSI  
@73.4°F(23°C)
- (標準中心柱材質SUS 410+熱處理, 亦可選用SUS 304/316)
- 低扭力, 密閉效果佳
- 蝶片開啓角度可由箭頭指標清楚顯示

| Type<br>品號 | Size<br>尺寸 | Standard<br>規格 | Material<br>材質 | Seat<br>墊座 | O-ring<br>O環 | Disc<br>碟片 | End type<br>接口 |
|------------|------------|----------------|----------------|------------|--------------|------------|----------------|
| VP-820     | 2"~24"     | ANSI, JIS, DIN | PVC            | EPDM, FPM  | EPDM, FPM    | PP         | Flanged        |
| VP-821     | 2"~24"     | ANSI, JIS, DIN | CPVC           | EPDM, FPM  | EPDM, FPM    | CPVC       | Flanged        |
| VP-823     | 2"~24"     | ANSI, JIS, DIN | PVDF           | EPDM, FPM  | EPDM, FPM    | PVDF       | Flanged        |
| VP-824     | 2"~24"     | ANSI, JIS, DIN | PP             | EPDM, FPM  | EPDM, FPM    | PP         | Flanged        |



| SIZE<br>Nom. | 50mm<br>(2") | 65mm<br>(2-1/2") | 80mm<br>(3") | 100mm<br>(4") | 125mm<br>(5") | 150mm<br>(6") | 200mm<br>(8") | 250mm<br>(10") | 300mm<br>(12") | 350mm<br>(14") | 400mm<br>(16") | 450mm<br>(18") | 500mm<br>(20") | 600mm<br>(24") |
|--------------|--------------|------------------|--------------|---------------|---------------|---------------|---------------|----------------|----------------|----------------|----------------|----------------|----------------|----------------|
| JIS          | D1<br>n-e    | 120<br>4-e19     | 140<br>4-e19 | 150<br>8-e19  | 175<br>8-e19  | 210<br>8-e23  | 240<br>8-e23  | 290<br>12-e23  | 355<br>12-e25  | 400<br>16-e25  | 445<br>16-e25  | 510<br>16-e27  | 565<br>20-e27  | 730<br>20-e27  |
| ANSI         | D1<br>n-e    | 121<br>4-e19     | 140<br>4-e19 | 152<br>4-e19  | 191<br>8-e19  | 216<br>8-e23  | 241<br>8-e23  | 299<br>8-e23   | 362<br>12-e25  | 432<br>12-e25  | 476<br>12-e25  | 540<br>16-e29  | 578<br>16-e32  | 750<br>20-e35  |
| DIN          | D1<br>n-e    | 125<br>4-e18     | 145<br>4-e18 | 160<br>8-e18  | 180<br>8-e18  | 210<br>8-e18  | 240<br>8-e22  | 295<br>8-e22   | 350<br>12-e22  | 400<br>12-e22  | 460<br>16-e23  | 515<br>16-e26  | 565<br>20-e27  | 725<br>20-e30  |
| D            |              | 185.5            | 185          | 200           | 229           | 257           | 288           | 343            | 411            | 490            | 530            | 596            | 630            | 813            |
| D2           |              | 56.5             | 69.5         | 79.5          | 102.5         | 129.5         | 149.5         | 202            | 255            | 310            | 355            | 397.5          | 452.5          | 603            |
| D3           |              | 159              | 159          | 159           | 159           | 159           | 202           | 202            | 202            | 250            | 250            | 300            | 300            | 406            |
| H            |              | 289              | 307.5        | 310           | 352.5         | 396.5         | 464           | 524            | 588            | 709            | 733            | 868            | 910            | 1166           |
| H1           |              | 127              | 135.5        | 138           | 158.5         | 196.5         | 221           | 253.5          | 283.5          | 340            | 342            | 420            | 445            | 556            |
| H2           |              | 105              | 113.5        | 116           | 136.5         | 163.5         | 177           | 209.5          | 239.5          | 298            | 300            | 345            | 370            | 480            |
| H3           |              | 53               | 53           | 53            | 53            | 75            | 77.5          | 77.5           | 77.5           | 78             | 78             | 120            | 120            | 143            |
| L1           |              | 140              | 140          | 140           | 140           | 140           | 284.5         | 284.5          | 330            | 330            | 353            | 353            | 390            | 390            |
| L2           |              | 39               | 44           | 44            | 54            | 63            | 65            | 79             | 104            | 127            | 120.5          | 160            | 171            | 201            |
| L3           |              | 42.5             | 47           | 47            | 57            | 68            | 70            | 85             | 109            | 131.5          | 127            | 166            | 179            | 210            |
| L4           |              | 41.5             | 41.5         | 41.5          | 41.5          | 41.5          | 60            | 60             | 60             | 60             | 60             | 81             | 81             | 120            |
| L5           |              | 121              | 121          | 121           | 121           | 121           | 161           | 161            | 161            | 185            | 185            | 231            | 231            | 323            |

| NO | PART NAME         | MATERIAL             | Q'TY |
|----|-------------------|----------------------|------|
| 1  | BODY 本體           | UPVC, CPVC, PVDF, PP | 1    |
| 2  | DISC 閘門           | UPVC, CPVC, PVDF, PP | 1    |
| 3  | SEAT 墊座           | EPDM, FPM            | 1    |
| 4  | STEM 中心柱          | SUS                  | 1    |
| 5  | STEM O-RING 中心O環  | EPDM, FPM            | 2    |
| 6  | DISC O-RING 閘門O環  | EPDM, FPM            | 2    |
| 7  | HAND-WHEEL 把手輪    | FC                   | 1    |
| 8  | GEAR BOX 齒輪箱      | FC                   | 1    |
| 9  | BOLT & WASHER 螺絲組 | SUS304               | 4    |
| 10 | SPRING PIN 彈簧銷    | SUS                  | 1    |
| 11 | PACKING 墊片        | EPDM 6"~14"          | 1    |
| 12 | SMALL HANDLE 小把手  | STEEL                | 1    |
| 13 | KEY 方鍵            | SUS                  | 1    |
| 14 | SEAL 加強環          | FC 14"~24"           | 2    |
| 15 | METAL PAD 固定座     | S45C 16"~24"         | 1    |
| 16 | INSERTED NUT 本體埋銷 | C3602 16"~24"        | 4~8  |
| 17 | PIN 定位銷           | SUS                  | 1    |





# VP-830 氣動式蝶閥

## Pneumatic Actuator Butterfly Valve

- Pressure rating : 2"~10" 150 PSI, 12"100 PSI, 14", 16" 86 PSI, 18" 72 PSI, 20"~24" 51 PSI @73.4°F(23°C)

(Standard stem:  
SUS 410 + heat process.  
Alternative material for stem:  
SUS 304/316)

- Low flow loss
- The opening angle of the disc could be seen clearly through the position indicator.
- Fast / Efficient operation for automatic control system in a limited piping space
- Pneumatic actuator specification meets with ISO 5211, VDI / VDE 3845, DIN 3337, NAMUR, easy to assemble solenoid valve, limit Switches and other accessories.
- For double acting and spring return actuators the maximum supply pressure is 8 Bar(116PSI) minimum supply pressure is 2.5 Bar(36PSI)  
(Refer to actuator manufacturer's data if necessary)

- 工作壓力 : 2"~10" 150 PSI, 12" 100PSI, 14", 16" 86PSI, 18" 72PSI, 20"~24" 51PSI @73.4°F(23°C)

(標準中心柱材質SUS 410 + 熱處理,亦可選用SUS 304 / 316 材質)

- 蝶片開啓角度可經由位址顯示器取
- 氣動驅動器規格符合ISO 5211, DIN 3337, VDI / VDE 3845, NAMUR可加裝電磁閥、微動開關及其他附屬配件。
- 氣動驅動器建議最大進氣空壓 8 Bar (116PSI), 最小 2.5 Bar (36PSI)  
(詳細資料可參考氣壓缸製造商資料)

| Type 品號 | Size 尺寸 | Standard 規格    | Material 材質 | Seat 墊座   | O-ring O環 | Disc 碟片 | End type 接口 |
|---------|---------|----------------|-------------|-----------|-----------|---------|-------------|
| VP-830  | 2"~24"  | ANSI, JIS, DIN | PVC         | EPDM, FPM | EPDM, FPM | PP      | Flanged     |
| VP-831  | 2"~24"  | ANSI, JIS, DIN | CPVC        | EPDM, FPM | EPDM, FPM | CPVC    | Flanged     |
| VP-833  | 2"~24"  | ANSI, JIS, DIN | PVDF        | EPDM, FPM | EPDM, FPM | PVDF    | Flanged     |
| VP-834  | 2"~24"  | ANSI, JIS, DIN | PP          | EPDM, FPM | EPDM, FPM | PP      | Flanged     |

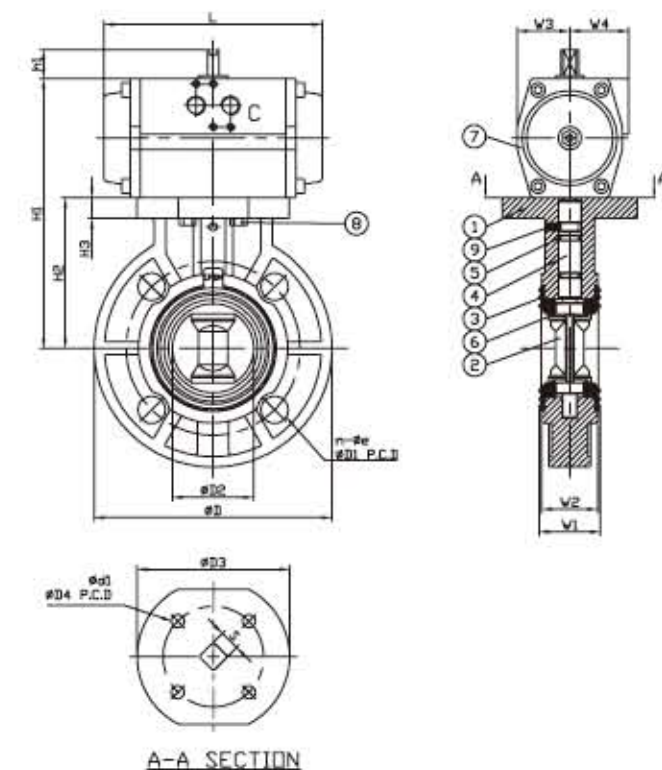


| SIZE          | 50mm (2") | 65mm (2-1/2") | 80mm (3") | 100mm (4") | 125mm (5") | 150mm (6") | 200mm (8") | 250mm (10") | 300mm (12") | 350mm (14") | 400mm (16") | 450mm (18") | 500mm (20") | 600mm (24") |        |
|---------------|-----------|---------------|-----------|------------|------------|------------|------------|-------------|-------------|-------------|-------------|-------------|-------------|-------------|--------|
| JIS           | D1        | 120           | 140       | 150        | 175        | 210        | 240        | 290         | 355         | 400         | 445         | 510         | 565         | 620         | 730    |
|               | n-ee      | 4-e19         | 4-e19     | 8-e19      | 8-e19      | 8-e23      | 8-e23      | 12-e23      | 12-e25      | 16-e25      | 16-e27      | 20-e27      | 20-e27      | 24-e33      |        |
| ANSI          | D1        | 121           | 140       | 152        | 191        | 216        | 241        | 299         | 362         | 432         | 476         | 540         | 578         | 635         | 750    |
|               | n-ee      | 4-e19         | 4-e19     | 4-e19      | 8-e19      | 8-e23      | 8-e23      | 8-e23       | 12-e25      | 12-e25      | 12-e29      | 16-e29      | 16-e32      | 20-e32      | 20-e35 |
| DIN           | D1        | 125           | 145       | 160        | 180        | 210        | 240        | 295         | 350         | 400         | 460         | 515         | 565         | 620         | 725    |
|               | n-ee      | 4-e18         | 4-e18     | 8-e18      | 8-e18      | 8-e18      | 8-e22      | 8-e22       | 12-e22      | 12-e22      | 16-e23      | 16-e26      | 20-e27      | 20-e27      | 20-e30 |
| D             | 165.5     | 185           | 200       | 229        | 257        | 288        | 343        | 411         | 490         | 530         | 596         | 630         | 696         | 813         |        |
| D2            | 56.5      | 89.5          | 79.5      | 102.5      | 129.5      | 149.5      | 202        | 255         | 310         | 355         | 397.5       | 452.5       | 500         | 603         |        |
| D3            | 106       | 119           | 124       | 134.5      | 164        | 170        | 201        | 204         | 236         | 236         | 300         | 328         | 328         | 328         |        |
| H2            | 105       | 113.5         | 116       | 136.5      | 163.5      | 177        | 209.5      | 239.5       | 298         | 300         | 345         | 370         | 410         | 480         |        |
| H3            | 14.5      | 14            | 14        | 14         | 14.5       | 19         | 23.5       | 22          | 24.5        | 25.5        | 32          | 32          | 34          | 43          |        |
| W1            | 42.5      | 47            | 47        | 57         | 68         | 70         | 85         | 109         | 131.5       | 127         | 166         | 179         | 189.5       | 210         |        |
| W2            | 39        | 44            | 44        | 54         | 63         | 65         | 79         | 104         | 127         | 120.5       | 160         | 171         | 180         | 201         |        |
| T: DIN259 BSP | 1/4"      | 1/4"          | 1/4"      | 1/4"       | 1/4"       | 1/4"       | 1/4"       | 1/4"        | 1/4"        | 1/4"        | 1/4"        | 1/2"        | 1/2"        | 1/2"        |        |
| DOUBLE ACTING | d1        | 7             | 7         | 9          | 9          | 9          | 11         | 11          | 11          | 13          | -           | -           | -           | -           |        |
|               | D4        | 50            | 50        | 70         | 70         | 70         | 102        | 102         | 102         | 125         | -           | -           | -           | -           |        |
|               | h1        | 20            | 20        | 20         | 20         | 20         | 20         | 30          | 30          | 30          | -           | -           | -           | -           |        |
|               | H1        | 189.75        | 198.5     | 217.75     | 238.5      | 278.5      | 304        | 366.5       | 396.5       | 494         | -           | -           | -           | -           |        |
| SPRING RETURN | L         | 158.5         | 158.5     | 210.5      | 210.5      | 247.5      | 268.5      | 345         | 345         | 437.5       | -           | -           | -           | -           |        |
|               | S         | 14            | 14        | 17         | 17         | 17         | 22         | 27          | 27          | 27          | -           | -           | -           | -           |        |
|               | W3        | 36            | 36        | 42         | 42         | 48         | 55         | 66.5        | 66.5        | 81          | -           | -           | -           | -           |        |
|               | W4        | 47            | 47        | 52         | 52         | 57         | 67         | 82          | 82          | 99          | -           | -           | -           | -           |        |
| DOUBLE ACTING | d1        | 7             | 7         | 9          | 9          | 11         | 11         | 13          | 13          | -           | -           | -           | -           | -           |        |
|               | D4        | 50            | 50        | 70         | 70         | 102        | 102        | 125         | 125         | -           | -           | -           | -           | -           |        |
|               | h1        | 20            | 20        | 20         | 20         | 20         | 30         | 30          | 30          | -           | -           | -           | -           | -           |        |
|               | H1        | 206.75        | 215.5     | 230.75     | 251.5      | 290.5      | 334        | 405.5       | 435.5       | -           | -           | -           | -           | -           |        |
| SPRING RETURN | L         | 210.5         | 210.5     | 247.5      | 247.5      | 268.5      | 345        | 437.5       | 437.5       | -           | -           | -           | -           | -           |        |
|               | S         | 17            | 17        | 17         | 17         | 22         | 27         | 27          | 27          | -           | -           | -           | -           | -           |        |
|               | W3        | 42            | 42        | 48         | 48         | 55         | 66.5       | 81          | 81          | -           | -           | -           | -           | -           |        |
|               | W4        | 52            | 52        | 57         | 57         | 67         | 82         | 99          | 99          | -           | -           | -           | -           | -           |        |

| SIZE   | PNEUMATIC ACTUATOR |               |
|--------|--------------------|---------------|
|        | DOUBLE ACTING      | SPRING RETURN |
| 2"     | AT101UDA           | AT201USR      |
| 2-1/2" | AT101UDA           | AT201USR      |
| 3"     | AT201UDA           | AT251USR      |
| 4"     | AT201UDA           | AT251USR      |
| 5"     | AT251UDA           | AT301USR      |
| 6"     | AT301UDA           | AT401USR      |
| 8"     | AT351UDA           | AT451USR      |
| 10"    | AT451UDA           | AT501USR      |
| 12"    | AT501UDA           | AT551USR      |
| 14"    | AT551UDA           | AT651USR      |
| 16"    | AT601UDA           | AT651USR      |
| 18"    | AT601UDA           | AT701USR      |
| 20"    | AT651UDA           | AT701USR      |
| 24"    | AT651UDA           | AT701USR      |

- 備註:
1. 上述氣動及電動驅動器(Pneumatic Actuator)搭配型號及圖形僅供參考,可依客戶需求選用。
  2. 相關規格資料歡迎進一步向本公司洽詢。

| NO | PART NAME              | MATERIAL                | QTY |
|----|------------------------|-------------------------|-----|
| 1  | BODY 本體                | UPVC, CPVC, PVDF, PP    | 1   |
| 2  | DISC 碟門                | UPVC, CPVC, PVDF, PP    | 1   |
| 3  | SEAT 墊座                | EPDM, FPM               | 1   |
| 4  | STEM 中心柱               | SUS                     | 1   |
| 5  | STEM O-RING 中心O環       | EPDM, FPM               | 2   |
| 6  | DISC O-RING 碟門O環       | EPDM, FPM               | 2   |
| 7  | PNEUMATIC ACTUATOR 氣壓缸 | EXTRUDED ALUMINUM ALLOY | 1   |
| 8  | BOLT & WASHER 螺絲組      | SUS                     | 4   |
| 9  | PIN 定位銷                | SUS                     | 1   |





# VP-840 電動式蝶閥

## Electric Actuator Butterfly Valve

- Pressure rating: 2"~10" 150 PSI, 12" 100 PSI, 14", 16" 86 PSI, 18" 72PSI, 20"~24" 51PSI @73.4°F(23°C)

(Standard stem: SUS 410 + heat process. Alternative material for stem: SUS 304/316)

- Low flow loss
- The opening angle of the disc could be seen clearly through the position indicator.
- Fast / Efficient operation for automatic control system in a limited piping space
- Electric actuator operation voltage 1-phase 110 / 220 V, 3-phase 220 / 380 / 460 V
- Electric actuator could manually operate w/o clutch and break
- 工作壓力：2"~10" 150 PSI, 12" 100PSI, 14", 16" 86PSI, 18" 72PSI, 20"~24" 51PSI @73.4°F(23°C)

(標準中心柱材質SUS 410 + 熱處理, 亦可選用SUS 304/316 材質)

- 蝶片開啓角度可經由位址顯示器取得
- 操作電壓：AC 單相 110 / 220V 三相 220 / 380 / 460V
- 電動換手動操作時, 不須離合器及煞車即可操作

| Type 品號 | Size 尺寸 | Standard 規格    | Material 材質 | Seat 墊座   | O-ring O環 | Disc 碟片 | End type 接口 |
|---------|---------|----------------|-------------|-----------|-----------|---------|-------------|
| VP-840  | 2"~24"  | ANSI, JIS, DIN | PVC         | EPDM, FPM | EPDM, FPM | PP      | Flanged     |
| VP-841  | 2"~24"  | ANSI, JIS, DIN | CPVC        | EPDM, FPM | EPDM, FPM | CPVC    | Flanged     |
| VP-843  | 2"~24"  | ANSI, JIS, DIN | PVDF        | EPDM, FPM | EPDM, FPM | PVDF    | Flanged     |
| VP-844  | 2"~24"  | ANSI, JIS, DIN | PP          | EPDM, FPM | EPDM, FPM | PP      | Flanged     |



| Nom. | SIZE | 50mm (2") | 65mm (2-1/2") | 80mm (3") | 100mm (4") | 125mm (5") | 150mm (6") | 200mm (8") | 250mm (10") | 300mm (12") | 350mm (14") | 400mm (16") | 450mm (18") | 500mm (20") | 600mm (24") |
|------|------|-----------|---------------|-----------|------------|------------|------------|------------|-------------|-------------|-------------|-------------|-------------|-------------|-------------|
| JIS  | D1   | 120       | 140           | 150       | 175        | 210        | 240        | 290        | 355         | 400         | 445         | 510         | 565         | 620         | 730         |
|      | n-øe | 4-ø19     | 4-ø19         | 8-ø19     | 8-ø19      | 8-ø23      | 8-ø23      | 12-ø23     | 12-ø25      | 16-ø25      | 16-ø25      | 16-ø27      | 20-ø27      | 20-ø27      | 24-ø33      |
| ANSI | D1   | 121       | 140           | 152       | 191        | 216        | 241        | 299        | 362         | 432         | 476         | 540         | 578         | 635         | 750         |
|      | n-øe | 4-ø19     | 4-ø19         | 4-ø19     | 8-ø19      | 8-ø23      | 8-ø23      | 8-ø23      | 12-ø25      | 12-ø25      | 12-ø29      | 16-ø29      | 16-ø32      | 20-ø32      | 20-ø35      |
| DIN  | D1   | 125       | 145           | 160       | 180        | 210        | 240        | 295        | 350         | 400         | 460         | 515         | 565         | 620         | 725         |
|      | n-øe | 4-ø18     | 4-ø18         | 8-ø18     | 8-ø18      | 8-ø18      | 8-ø22      | 8-ø22      | 12-ø22      | 12-ø22      | 16-ø23      | 16-ø26      | 20-ø27      | 20-ø27      | 20-ø30      |
| D    |      | 165.5     | 185           | 200       | 229        | 257        | 288        | 343        | 411         | 490         | 530         | 596         | 630         | 696         | 813         |
| D2   |      | 56.5      | 69.5          | 79.5      | 102.5      | 129.5      | 149.5      | 202        | 255         | 310         | 355         | 397.5       | 452.5       | 500         | 603         |
| H1   |      | 105       | 113.5         | 116       | 136.5      | 163.5      | 177        | 209.5      | 239.5       | 298         | 300         | 345         | 370         | 410         | 480         |
| H2   |      | 14.5      | 14            | 14        | 14         | 14.5       | 19         | 23.5       | 22          | 24.5        | 25.5        | 32          | 32          | 34          | 43          |
| W1   |      | 42.5      | 47            | 47        | 57         | 68         | 70         | 85         | 109         | 131.5       | 127         | 166         | 179         | 189.5       | 210         |
| W2   |      | 39        | 44            | 44        | 54         | 63         | 65         | 79         | 104         | 127         | 120.5       | 160         | 171         | 180         | 201         |

| NO | PART NAME             | MATERIAL                     | QTY |
|----|-----------------------|------------------------------|-----|
| 1  | BODY 本體               | UPVC,CPVC,PVDF,PP            | 1   |
| 2  | DISC 碟片               | UPVC,CPVC,PVDF,PP            | 1   |
| 3  | SEAT 墊座               | EPDM,FPM                     | 1   |
| 4  | STEM 中心柱              | SUS                          | 1   |
| 5  | STEM O-RING 中心O環      | EPDM,FPM                     | 2   |
| 6  | DISC O-RING 碟片O環      | EPDM,FPM                     | 2   |
| 7  | COUPLING 連接頭          | SUS                          | 1   |
| 8  | MOUNTING PAD 固定架      | SUS                          | 1   |
| 9  | ELECTRIC ACTUATOR 電動箱 | ALUMINUM ALLOY POWDER COATED | 1   |
| 10 | PIN 定位銷               | SUS                          | 1   |

| ELECTRIC ACTUATOR | Single-phase |      | Three-phase |      |      |
|-------------------|--------------|------|-------------|------|------|
|                   | 110V         | 220V | 220V        | 380V | 440V |
| BM2               | V            | V    | V           | V    | V    |
| OMA               | V            | V    | X           | X    | X    |
| OM2               | V            | V    | V           | V    | V    |
| OM3               | V            | V    | V           | V    | V    |
| OM4               | V            | V    | V           | V    | V    |
| OM5               | V            | V    | V           | V    | V    |
| OM6               | V            | V    | V           | V    | V    |
| OM7               | V            | V    | V           | V    | V    |
| OM8               | V            | V    | V           | V    | V    |

| SIZE   | ELECTRIC ACTUATOR |                        |
|--------|-------------------|------------------------|
|        | WITH HANDWHEEL    | WITHOUT WITH HANDWHEEL |
| 2"     | OM2               | OMA                    |
| 2-1/2" | OM2               | OMA                    |
| 3"     | OM2               | OMA                    |
| 4"     | OM3               | BM2                    |
| 5"     | OM3               | -                      |
| 6"     | OM4               | -                      |
| 8"     | OM4               | -                      |
| 10"    | OM5               | -                      |
| 12"    | OM6               | -                      |
| 14"    | OM7               | -                      |
| 16"    | OM                | -                      |

備註：  
1. 上述電動驅動器(Electric Actuator)搭配型號及圖形僅供參考，可依客戶需求選用。  
2. 18"以上及相關規格資料歡迎進一步向本公司洽詢。

