

# BUTTERFLY VALVE TYPE 56

- EASY SWITCHING FROM GEAR TYPE TO AUTOMATIC VALVE

## BASIC SPECIFICATIONS

VALVE TYPE ————— BUTTERFLY VALVE TYPE 56

SIZE ————— 400 mm (16 inch)

BODY MATERIAL ——— **PP** **PVDF**

SEAL MATERIAL / SEAT — **EPDM** **FKM** etc.

CONNECTION / WAFER — JIS10K, DIN, ANSI

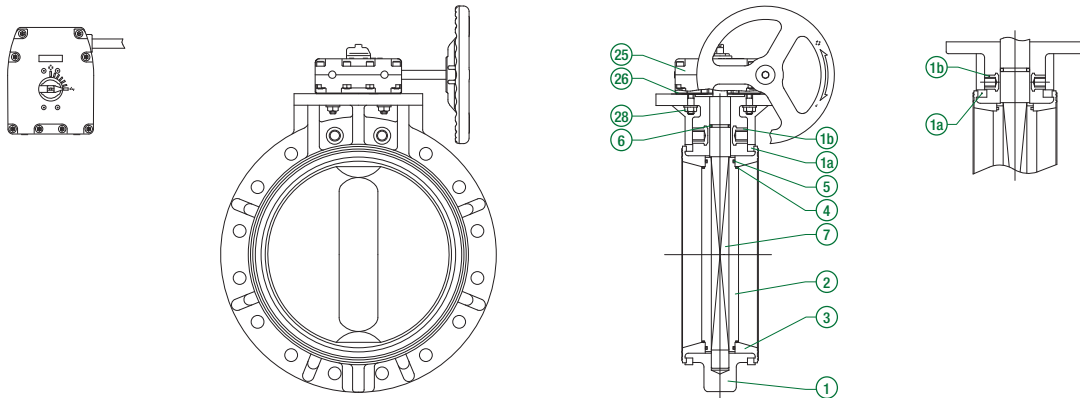
	FLUID TEMPERATURE	MAXIMUM WORKING PRESSURE (NORMAL TEMPERATURE) MPa(kgf/cm <sup>2</sup> )
		400mm
<b>PP</b>	-20°C ~ 80°C	0.6 {6.1}
<b>PVDF</b>	-20°C ~ 120°C	0.6 {6.1}

**NOTE** The maximum working pressure is the value including the water hammer pressure. Be careful that the maximum working pressure is not exceeded during use.

\* Concerning the allowable pressure for each temperature and material, see the technical documents at the end of this catalog.



## PARTS LIST **MANUAL**



PART NO. / NAME	QTY	MATERIAL	PART NO. / NAME	QTY	MATERIAL	PART NO. / NAME	QTY	MATERIAL
① BODY	1	BODY — DISC PP — PP PVDF — PVDF	⑤ O-RING (B)	2	EPDM, FKM, etc.	⑳ GASKET (A)	1	EPDM
② DISC	1		⑥ O-RING (C)	1	EPDM, FKM, etc.	㉑ BOLT (C)	1	SUS304
③ SEAT	1	EPDM, FKM, etc.	⑦ STEM	1	SUS403	㉒ RING	2	SS400 (EPOXY POWDER COATING)
④ O-RING (A)	2	EPDM, FKM, etc.	㉓ GEAR BOX	1	RESIN, etc.	㉔ EMBEDDED BODY FITTING	1	C3604

## SPECIFICATION LIST **MANUAL**

LEVER TYPE	SIDE GEAR TYPE	TOP GEAR TYPE	
—	○	○	
CHAIN TYPE	LONG STEM TYPE	FLOAT TYPE	WITH LIMIT SWITCH
○	○	○	○

\* For other specifications, contact our sales office in your area.

## COMPATIBLE ACTUATOR **AUTOMATIC**

**PNEUMATIC TYPE TA** For detailed specifications, see **P.123**

**ELECTRIC TYPE S** For detailed specifications, see **P.135**

PRODUCT MODEL  
CODE LIST  
**MANUAL**

ACTUATION	TYPE	OPERATING SYSTEM	BODY MATERIAL	SEAL MATERIAL	CONNECTION	STANDARD	SIZE
V	56	SG	*	*	W	*	400
V MANUAL VALVE	56 TYPE 56	SG SIDE GEAR TYPE	P PP F PVDF	E EPDM V FKM	W WAFER	1 JIS10K W — D DIN A ANSI	400 400mm

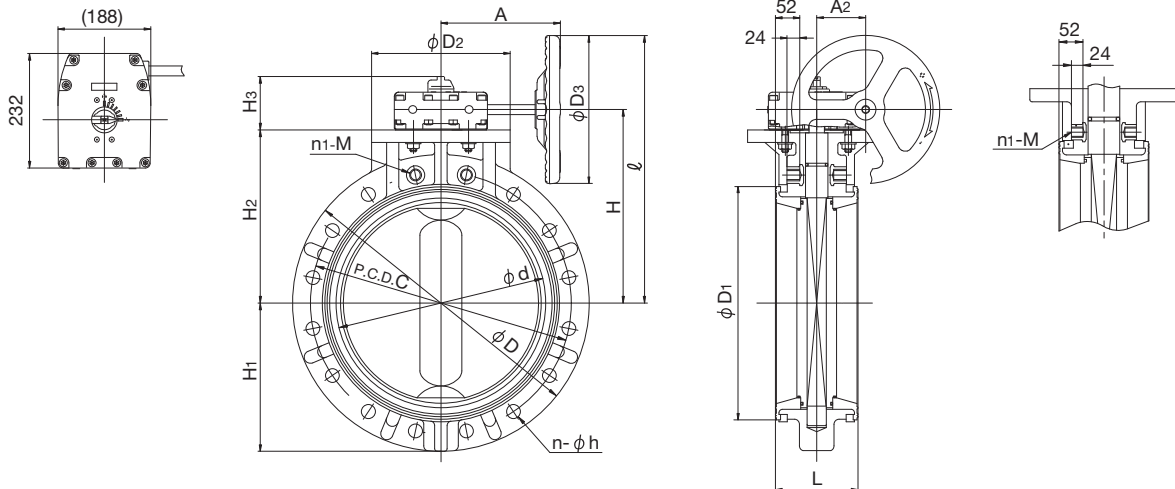
PRODUCT MODEL  
CODE LIST  
**AUTOMATIC**

ACTUATION	TYPE	ACTUATOR TYPE	ACTION / POWER SOURCE	BODY MATERIAL	SEAL MATERIAL	CONNECTION	STANDARD	SIZE
A	56	*	*	*	*	W	*	400
A AUTOMATIC VALVE	56 TYPE 56	<b>PNEUMATIC</b> K TYPE TA <b>ELECTRIC</b> S TYPE S	<b>PNEUMATIC</b> F DOUBLE ACTING G AIR TO OPEN S AIR TO CLOSE <b>ELECTRIC</b> 3 Three-Phase AC200V 4 Three-Phase AC400V	P PP F PVDF	E EPDM V FKM	W WAFER	1 JIS10K W — D DIN A ANSI	400 400mm

MANUAL

## BUTTERFLY VALVE TYPE 56

TYPE—V56SG  
CONNECTION / WAFER—JIS, DIN, ANSI



■ JIS, DIN (Unit: mm)

mm	d	D	D <sub>1</sub>	D <sub>2</sub>	D <sub>3</sub>	L	H	H <sub>1</sub>	H <sub>2</sub>	H <sub>3</sub>	l	A	A <sub>2</sub>	JIS10K			WATERWORKS			DIN PN10			HANDLE ROTATION		
														C	n	h	n <sub>1</sub>	M	C	n	h	C		n	h
400	406	600	470	235	300	169	390	300	350	108	540	272	99.2	510	14	27	2	M24	—	—	—	515	16	26	9.5

■ ANSI (Unit: inch)

inch	mm	d	D	D <sub>1</sub>	D <sub>2</sub>	D <sub>3</sub>	L	H	H <sub>1</sub>	H <sub>2</sub>	H <sub>3</sub>	l	A	A <sub>2</sub>	ANSI CLASS 150			HANDLE ROTATION	GEAR BOX TYPE
															C	n	h		
16	400	15.98	23.62	18.50	9.25	11.81	6.65	15.35	11.81	13.78	4.25	21.26	10.71	3.91	21.25	16	1.12	9.5	TYPE3

AUTOMATIC

PNEUMATIC

TYPE TA

DOUBLE ACTING

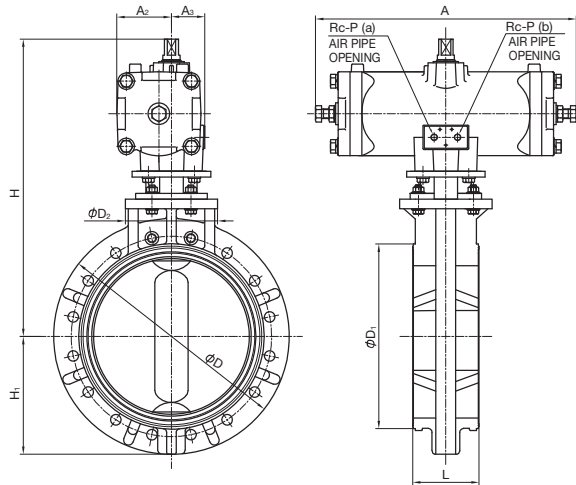
AIR TO OPEN

AIR TO CLOSE

# BUTTERFLY VALVE TYPE 56

TYPE—A56K

CONNECTION / WAFER—JIS, DIN, ANSI



### ACTUATOR SELECTION CHART

SIZE	ACTUATOR TYPE
400mm (16 inch)	TA-200D

For detailed specifications, see **P.123**

■ JIS, DIN (Unit: mm)

mm	L	D	D <sub>1</sub>	D <sub>2</sub>	H	H <sub>1</sub>	A	A <sub>2</sub>	A <sub>3</sub>	P
400	169	600	470	235	757	300	664	139	85	3/8

■ ANSI (Unit: inch)

inch	mm	L	D	D <sub>1</sub>	D <sub>2</sub>	H	H <sub>1</sub>	A	A <sub>2</sub>	A <sub>3</sub>	P
16	400	6.65	23.62	18.50	9.25	29.80	11.81	26.14	5.47	3.35	3/8

AUTOMATIC

PNEUMATIC

TYPE TA

DOUBLE ACTING

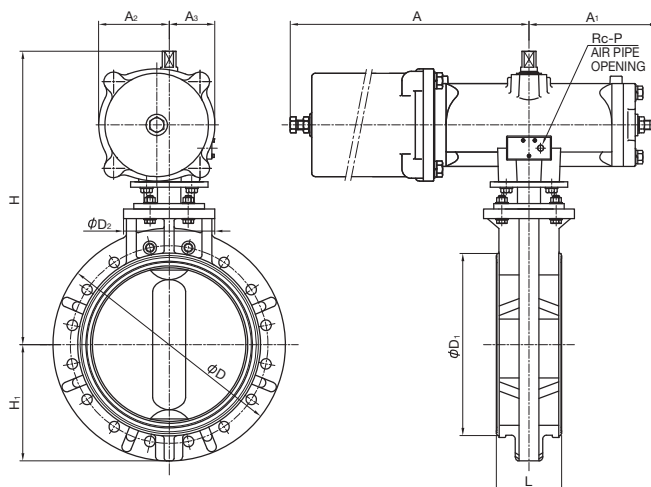
AIR TO OPEN

AIR TO CLOSE

# BUTTERFLY VALVE TYPE 56

TYPE—A56K

CONNECTION / WAFER—JIS, DIN, ANSI



### ACTUATOR SELECTION CHART

SIZE	ACTUATOR TYPE
400mm ( 16inch)	TA-200R

For detailed specifications, see **P.123**

■ JIS, DIN (Unit: mm)

mm	L	D	D <sub>1</sub>	D <sub>2</sub>	H	H <sub>1</sub>	A	A <sub>1</sub>	A <sub>2</sub>	A <sub>3</sub>	P
400	169	600	470	235	757	300	943	332	182	118	3/8

■ ANSI (Unit: inch)

inch	mm	L	D	D <sub>1</sub>	D <sub>2</sub>	H	H <sub>1</sub>	A	A <sub>1</sub>	A <sub>2</sub>	A <sub>3</sub>	P
16	400	6.65	23.62	18.50	9.25	29.80	37.13	13.07	7.17	4.65	3/8	

AUTOMATIC

ELECTRIC

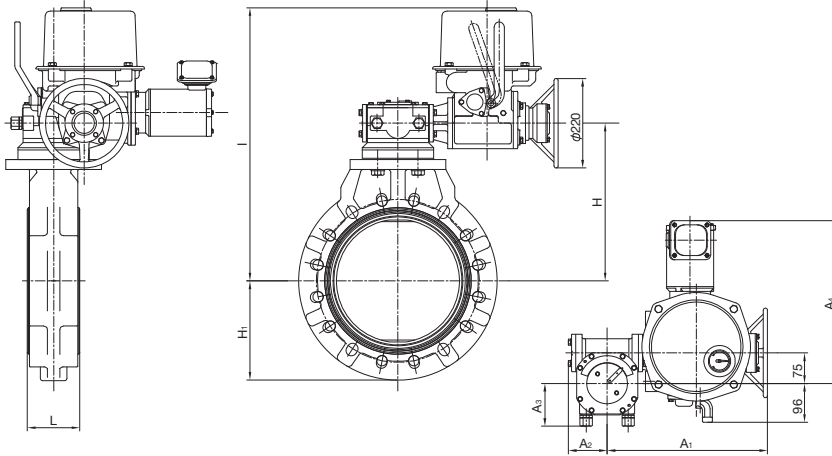
TYPE S

Three-Phase  
AC200V  
Three-Phase  
AC400V

# BUTTERFLY VALVE TYPE 56

TYPE—A56S

CONNECTION / WAFER—JIS, DIN, ANSI



### ACTUATOR SELECTION CHART

SIZE	ACTUATOR TYPE
400mm (16inch)	LTRM-01/BRM2 (AUTOMATIC RETURN MECHANISM)
	or LTRH-01/BRM2 (MANUAL RETURN MECHANISM)

For detailed specifications, see **P.135**

■ JIS, DIN (Unit: mm)

mm	L	D <sub>3</sub>	H	H <sub>1</sub>	A <sub>1</sub>	A <sub>2</sub>	A <sub>3</sub>	A <sub>4</sub>
400	169	433	300	717	430	116	126	409

■ ANSI (Unit: inch)

inch	mm	L	D <sub>3</sub>	H	H <sub>1</sub>	A <sub>1</sub>	A <sub>2</sub>	A <sub>3</sub>	A <sub>4</sub>
16	400	6.65	17.05	11.81	28.23	16.93	4.57	4.96	16.10