

BUTTERFLY VALVE TYPE 75

- SMALL FACE-TO-FACE DIMENSION FACILITATES MOUNTING ON PIPING.

BASIC SPECIFICATIONS

VALVE TYPE ————— BUTTERFLY VALVE TYPE 75

SIZE ————— 450 mm—600 mm (18 inch—24 inch)

BODY MATERIAL ————— **PP** **PVDF**

SEAL MATERIAL / SEAT ————— **EPDM** **FKM** etc.

CONNECTION / WAFER — JIS10K, DIN, ANSI

	FLUID TEMPERATURE	MAXIMUM WORKING PRESSURE (NORMAL TEMPERATURE) MPa(kgf/cm ²)	
		450mm	500 mm, 600 mm
PP	-20°C ~ 80°C	0.5 {5.1}	0.35 {3.6}
PVDF	-20°C ~ 120°C		

NOTE The maximum working pressure is the value including the water hammer pressure. Be careful that the maximum working pressure is not exceeded during use.
 * Concerning the allowable pressure for each temperature and material, see the technical documents at the end of this catalog.

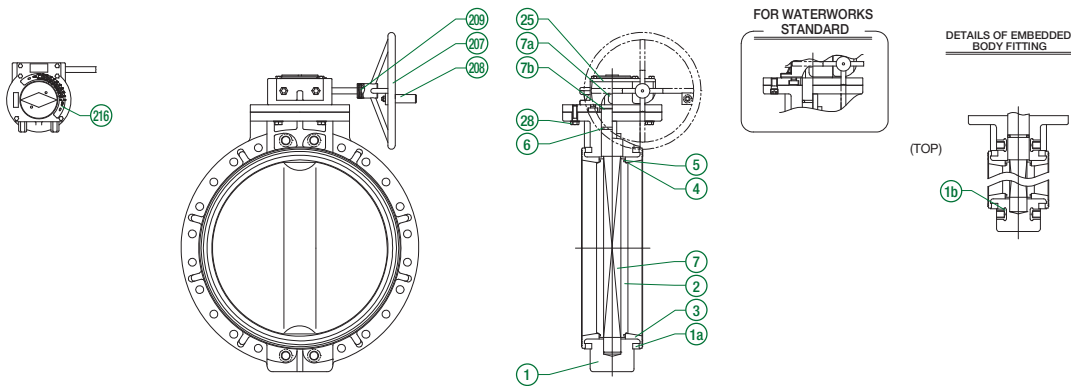
MANUAL



AUTOMATIC



PARTS LIST **MANUAL**



PART NO. / NAME	QTY	MATERIAL	PART NO. / NAME	QTY	MATERIAL	PART NO. / NAME	QTY	MATERIAL
① BODY	1	PP, PVDF	⑦ STEM	1	SUS403	⑳ HANDLE GRIP	1	NYLON, etc.
② DISC	1	PP, PVDF	⑦a KEY (A)	1	S45C	㉑ SPRING PIN	1	SUS304
③ SEAT	1	EPDM, FKM, etc.	⑦b C-SHAPED STOP RING	1	Used for SUS304 450 mm.	㉒ OPENING DEGREE DISPLAY PLATE	1	SUS304
④ O-RING (A)	2	EPDM, FKM, etc.	②5 GEAR BOX	1	FC250, etc. by Rotork (EPOXY PAINT)	㉓ RING	2	SS400 (EPOXY POWDER COATING)
⑤ O-RING (B)	2	EPDM, FKM, etc.	②8 BOLT (C)	4	SUS304	㉔ EMBEDDED BODY FITTING ⁽¹⁾	8	C3604
⑥ O-RING (C)	1	EPDM, FKM, etc.	㉗ HANDLE (C)	1	FC250 (POLYURETHANE PAINT)			

NOTE (1) Only used for JIS10K standard.

SPECIFICATION LIST **MANUAL**

LEVER TYPE	SIDE GEAR TYPE	TOP GEAR TYPE	
—	○	○	
CHAIN TYPE	LONG STEM TYPE	FLOAT TYPE	WITH LIMIT SWITCH
○	○	○	○

* For other specifications, contact our sales office in your area.

COMPATIBLE ACTUATOR **AUTOMATIC**

PNEUMATIC TYPE TW For detailed specifications, see **P.123**

ELECTRIC TYPE S For detailed specifications, see **P.135**

PRODUCT MODEL CODE LIST
MANUAL

ACTUATION	TYPE	OPERATING SYSTEM	BODY MATERIAL	SEAL MATERIAL	CONNECTION	STANDARD	SIZE
V	75	SG	*	*	W	*	***
V MANUAL VALVE	75 TYPE 75	SG SIDE GEAR TYPE	P PP F PVDF	E EPDM V FKM	W WAFER	1 JIS10K W — D DIN A ANSI	450 450mm 600 600mm

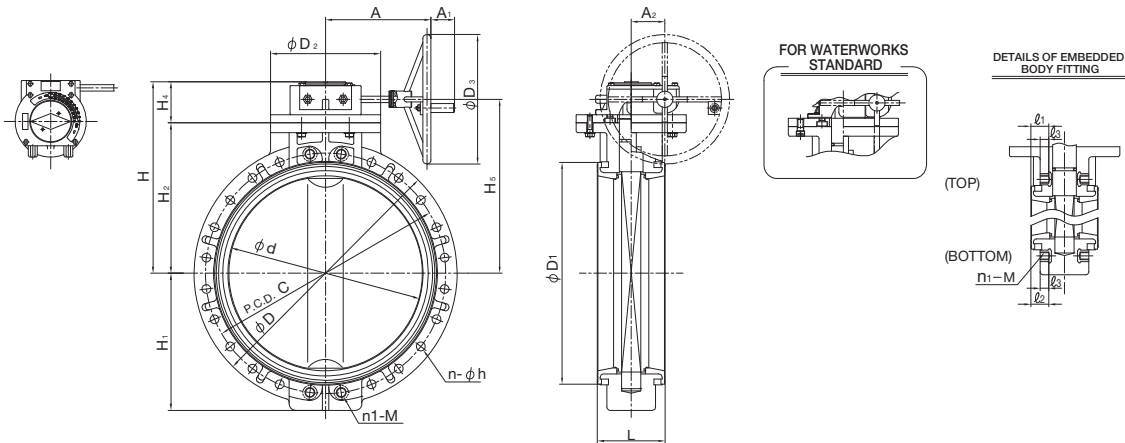
PRODUCT MODEL CODE LIST
AUTOMATIC

ACTUATION	TYPE	ACTUATOR TYPE	ACTION / POWER SOURCE	BODY MATERIAL	SEAL MATERIAL	CONNECTION	STANDARD	SIZE
A	75	*	*	*	*	W	*	***
A AUTOMATIC VALVE	75 TYPE 75	PNEUMATIC K TYPE TW ELECTRIC S TYPE S	PNEUMATIC F DOUBLE ACTING ELECTRIC 3 Three-Phase AC200V 4 Three-Phase AC400V	P PP F PVDF	E EPDM V FKM	W WAFER	1 JIS10K W — D DIN A ANSI	450 450mm 600 600mm

MANUAL

BUTTERFLY VALVE TYPE 75

TYPE—V75SG
CONNECTION / WAFER—JIS, DIN, ANSI



■ JIS, DIN (Unit: mm)

mm	d	D		D ₁	D ₂	D ₃	L	H	H ₁	H ₂	H ₄	H ₅	A	A ₁	A ₂	OPEN/CLOSE ROTATION	JIS10K				WATERWORKS			DIN PN10			
		PP	PVDF														C	n	h	n ₁	M	C	n	h	C	n	h
450	452	633	630	525	340	400	179	497	315	370	127	443	326	75.5	104.5	13.75	565	16	27	4	M24	—	—	—	565	20	26
500	502	683	680	575	340	400	190	527	350	400	127	473	326	75.5	104.5	13.75	620	16	27	4	M24	—	—	—	620	20	26
600	603	793	790	686	340	400	209	592	424	465	127	538	326	75.5	104.5	13.75	730	20	33	4	M30	—	—	—	725	20	30

■ JIS10K (UNIT: mm)

mm	d	THRU HOLE n	NO. OF FITTINGS USED			ℓ ₁	ℓ ₂	ℓ ₃
			TOP	BOTTOM	TOTAL 2 × n ₁			
450	M24	16	2×2	2×2	8	49	54	24
500	M24	16	2×2	2×2	8	49	59	24
600	M30	20	2×2	2×2	8	64	64	30

■ ANSI (Unit: inch)

inch	mm	d	D		D ₁	D ₂	D ₃	L	H	H ₁	H ₂	H ₄	H ₅	A	A ₁	A ₂	OPEN/CLOSE ROTATION	ANSI CLASS 150		
			PP	PVDF														C	n	h
18	450	17.80	24.92	24.80	20.67	13.39	15.75	7.05	19.57	12.40	14.57	5.00	17.44	12.83	2.97	4.11	13.75	22.75	16	1.25
20	500	19.76	26.89	26.77	22.64	13.39	15.75	7.48	20.75	13.78	15.75	5.00	18.62	12.83	2.97	4.11	13.75	25.00	20	1.25
24	600	23.74	31.22	31.10	27.01	13.39	15.75	8.23	23.31	16.69	18.31	5.00	21.18	12.83	2.97	4.11	13.75	29.50	20	1.38

AUTOMATIC PNEUMATIC

TYPE TW

DOUBLE ACTING

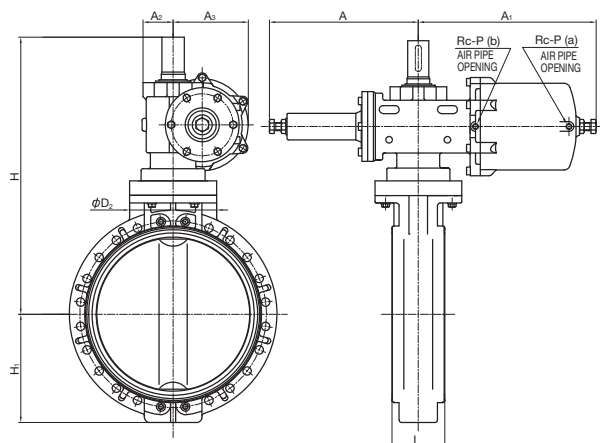
AIR TO OPEN

AIR TO CLOSE

BUTTERFLY VALVE TYPE 75

TYPE—A75K

CONNECTION / WAFER—JIS, DIN, ANSI



ACTUATOR SELECTION CHART

SIZE	ACTUATOR TYPE
450mm (18inch)	TW-250D
500mm (20inch)	
600mm (24inch)	

For detailed specifications, see P.123

■ JIS, DIN (Unit: mm)

mm	L	D ₁	D ₂	H	H ₁	A	A ₁	A ₂	A ₃	P
450	179	525	340	825	315	450	537	88	214	3/8
500	190	575	340	855	350	450	537	88	214	3/8
600	209	686	340	920	424	450	537	88	214	3/8

■ ANSI (Unit: inch)

inch	mm	L	D ₁	D ₂	H	H ₁	A	A ₁	A ₂	A ₃	P
18	450	7.05	20.67	13.39	32.48	12.40	17.72	21.14	3.46	8.43	3/8
20	500	7.48	22.64	13.39	33.66	13.78	17.72	21.14	3.46	8.43	3/8
24	600	8.23	27.01	13.39	36.22	16.69	17.72	21.14	3.46	8.43	3/8

AUTOMATIC ELECTRIC

TYPE S

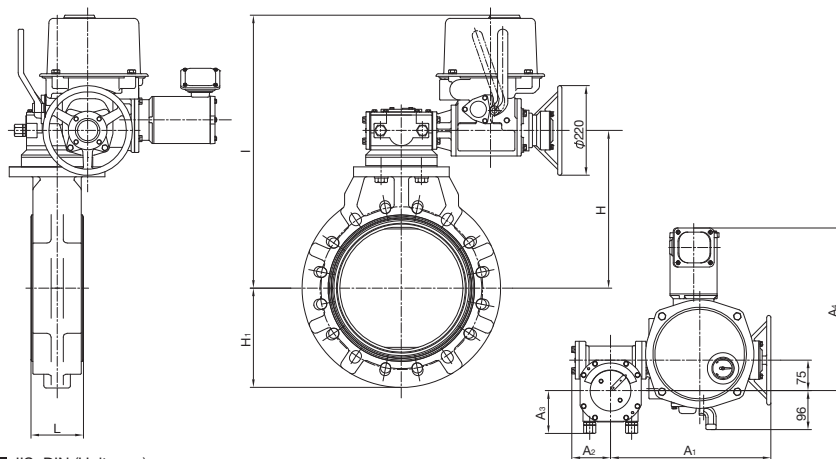
Three-Phase AC200V

Three-Phase AC400V

BUTTERFLY VALVE TYPE 75

TYPE—A75S

CONNECTION / WAFER—JIS, DIN, ANSI



ACTUATOR SELECTION CHART

SIZE	ACTUATOR TYPE
450mm (18inch)	LTFM-01/BRM2 (AUTOMATIC RETURN MECHANISM) or LTRH-01/BRM2 (MANUAL RETURN MECHANISM)
500mm (20inch)	
600mm (24inch)	

For detailed specifications, see P.135

■ JIS, DIN (Unit: mm)

mm	L	D ₃	A ₃	H	H ₁	A ₁	A ₂	A ₃	A ₄
450	179	468		315	752	430	116	126	409
500	190	498		350	782	430	116	126	409
600	209	563		424	847	430	116	126	409

■ ANSI (Unit: inch)

inch	mm	L	D ₃	H	H ₁	A ₁	A ₂	A ₃	A ₄
18	450	7.05	18.43	12.40	29.61	16.93	4.57	4.96	16.10
20	500	7.48	19.61	13.78	30.79	16.93	4.57	4.96	16.10
24	600	8.23	22.17	16.69	33.35	16.93	4.57	4.96	16.10